

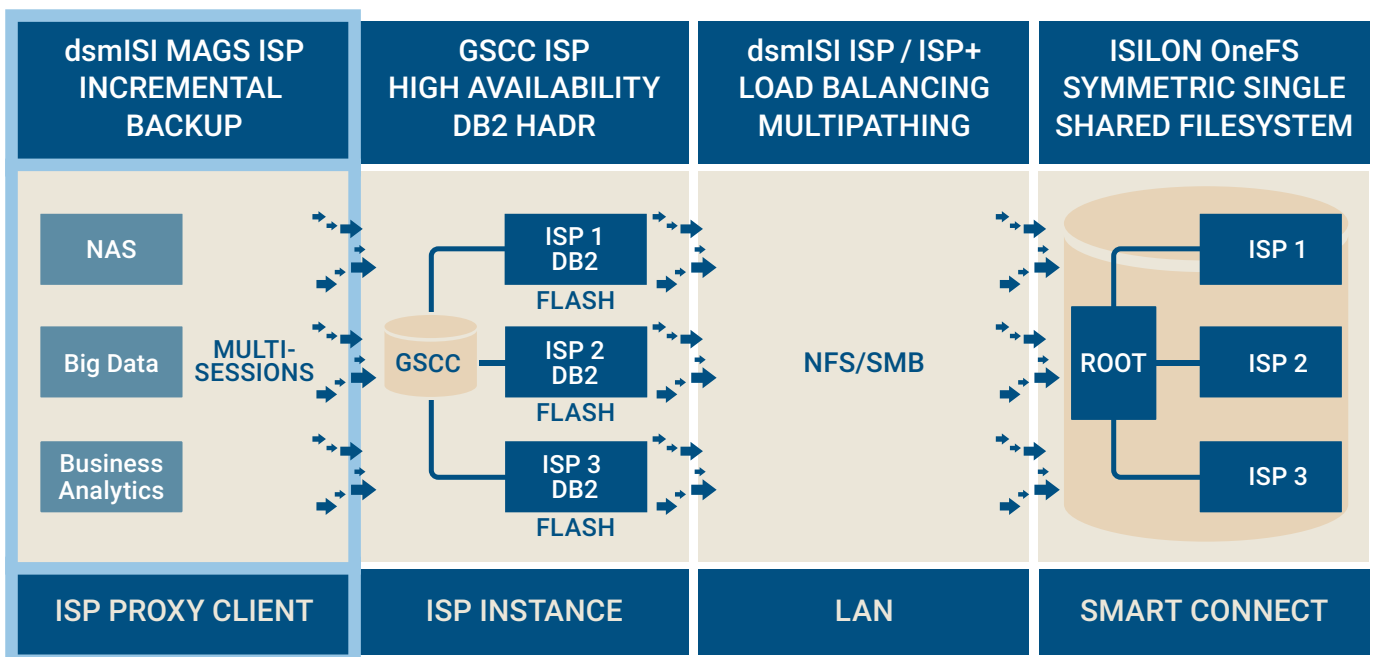
dsmISI MAGS

The easy way to incrementally backup billions of objects

dsmISI
MAGS



dsmISI MAGS enables fast backup and restore of large productive file services (e.g. NetApp) as well as big data and business analytics applications with billions of objects in combination with IBM Spectrum Protect (ISP).



© Concat AG

IBM Spectrum Protect is still the only software capable of continuously backing up file systems entirely incrementally. With extremely large file systems, containing many millions or even billions of objects, this approach, however, does have its limits. Very often the time used for identifying changed, new or deleted objects alone takes days or even weeks – and thus renders a service level which requires a daily backup cycle which is impossible to achieve.

dsmISI MAGS (Massive Attack General Storage) solves this fundamental problem by accelerating identification of changes and the resulting movement of data by orders of magnitude.



Benefits of dsmlSI MAGS:

- Is easy to install, configure, test and monitor
- Doesn't alter the backup data structure
- Scales across a practically unlimited number of ISP client machines
- Doesn't require change in backup structure
- Is continuously optimizing its own configuration in order to use available resources (CPU, RAM, scan depth, etc.) to greatest possible effect
- Can, if applicable, use snapshots of a file system in order to avoid errors resulting from user activity during backup
- Comes with a convenient graphical user interface which supports configuration and shows detailed information about running jobs
- Is compatible with most file servers and ISP client software version 6.3 or later
- When backing up scale-out file servers (like Dell EMC Isilon), dsmlSI MAGS can automatically utilize all reachable cluster nodes to further accelerate backup.
- In most cases using dsmlSI MAGS doesn't require additional hardware for ISP clients or servers already in use.
- Even extremely large and busy file systems can be backed up incrementally within a reasonable timespan using regular ISP incremental backup when controlled by dsmlSI MAGS.

