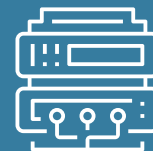


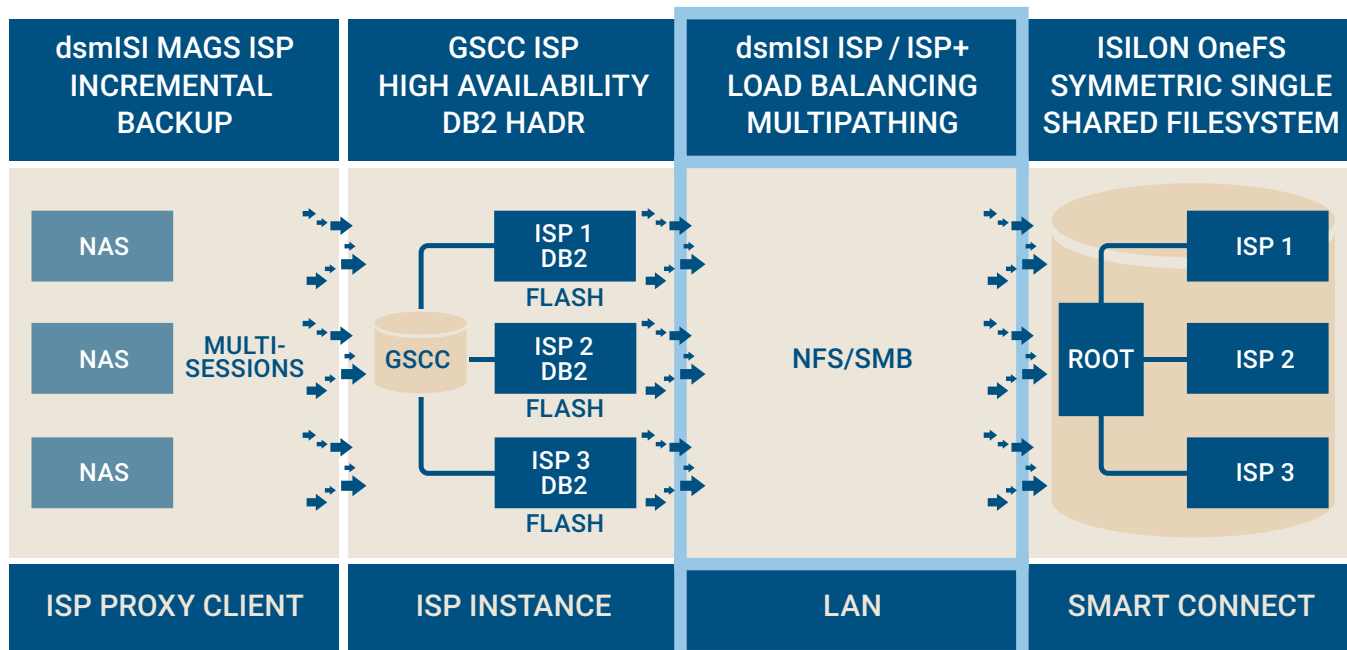
dsmISI ISP

Simplifies integration of ISP and ISP+ with scale-out storage

dsmISI
ISP / ISP+



dsmISI ISP simplifies the integration of IBM Spectrum Protect (ISP) and IBM Spectrum Protect Plus (ISP+) with Dell EMC Isilon OneFS and significantly increases backup and restore times.



© Concat AG

In principle, dsmISI ISP implements dynamic multipathing, which automatically spreads reads and writes symmetrically across all available network paths and Isilon nodes, guaranteeing maximum throughput for any attached ISP server. dsmISI is installed on the operating system – such as Linux, Unix or Windows – as a daemon/service and communicates with Isilon clusters, creates NFS/SMB connections to all nodes and presents them to ISP servers as a single, very fast file system.

dsmISI automatically detects whenever Isilon nodes fail or when nodes are removed from or added to a cluster. Failovers are executed transparently for ISP. Dynamic load balancing at runtime ensures that all nodes of a cluster are being utilized equally. In ISP+ environments dsmISI is setup on the vsnap server and dsmISI additionally stripes the vsnap pool data across the Isilon nodes.



Benefits of dsmlSI ISP:

- Dynamic multipathing: always uses network paths with the lowest latencies at runtime
- Creates active NFS/SMB connections to all Isilon nodes automatically
- Load balancing over all nodes of an Isilon cluster
- Automatic detection of failure, removal, and additions of nodes in Isilon clusters
- Supports ISP on Linux, Unix, and Windows with any number of Isilon systems
- Installed on the operating system as a daemon/ service
- Can be combined with other applications on the Isilon (i.e. dsmlSI Veeam, dsmlSI DB)
- Supports Spectrum Protect Plus including vsnap pools

